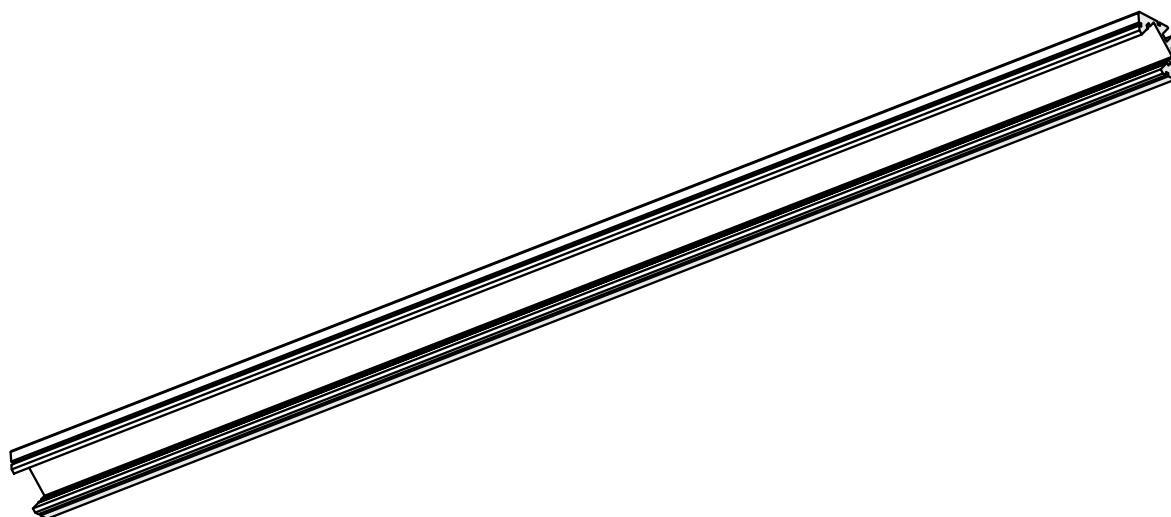
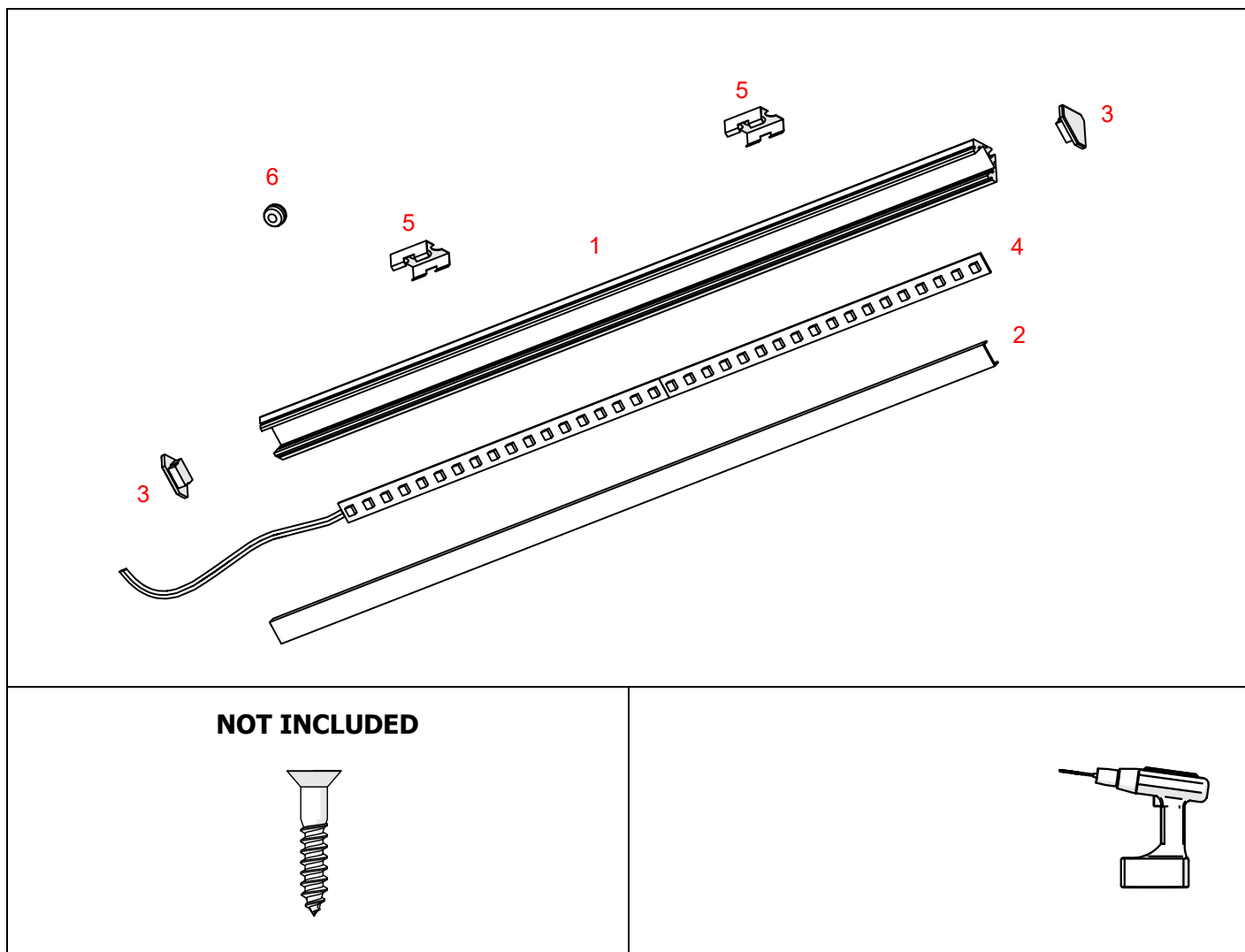


Profile 45-16





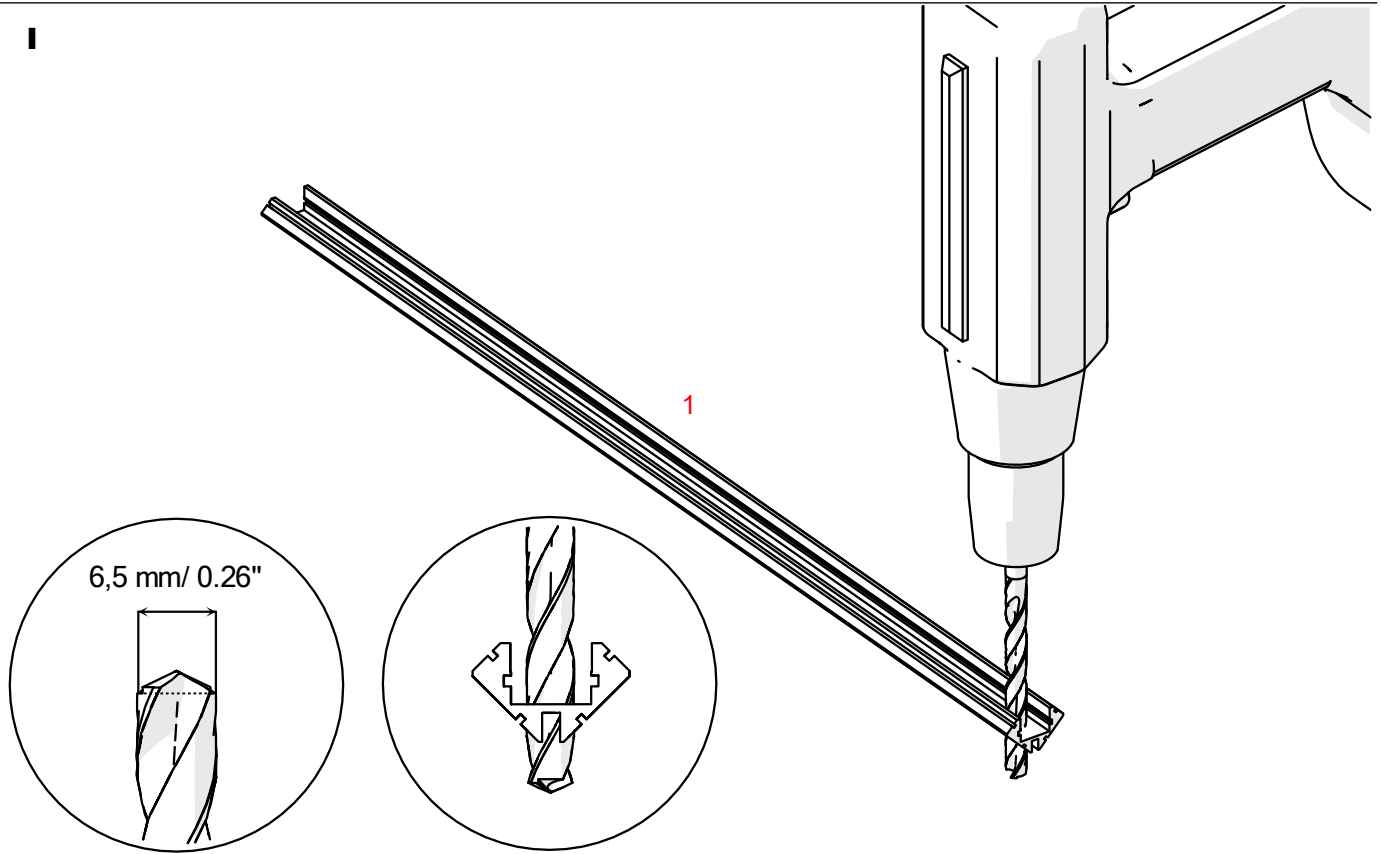
- 1. Profile 45-16 (Ref. A08504)
- 2. Cover*
- 3. End cap 45-16 (Ref. C24206C)
- 4. LED tape*
- 5. Mounting bracket*
- 6. Gland*

* The full range of accessories and electronics is available at www.KlusDesign.eu

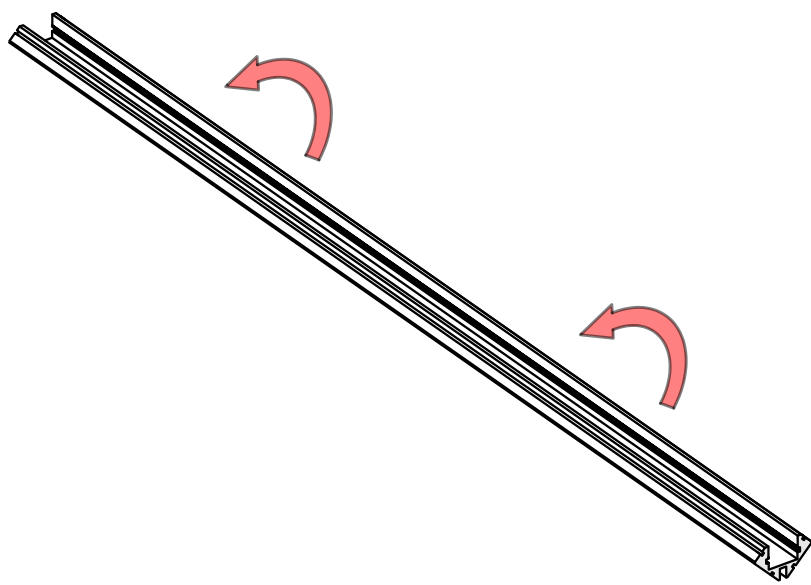
NOTE! ! All LED tapes must be connected to a 24 V power supply.

IMPORTANT: Not all possible mounting procedures are presented here. More mounting procedures and related accessories can be found at www.KlusDesign.eu. Drawings in these instructions are simplified and only approximate the actual shapes.

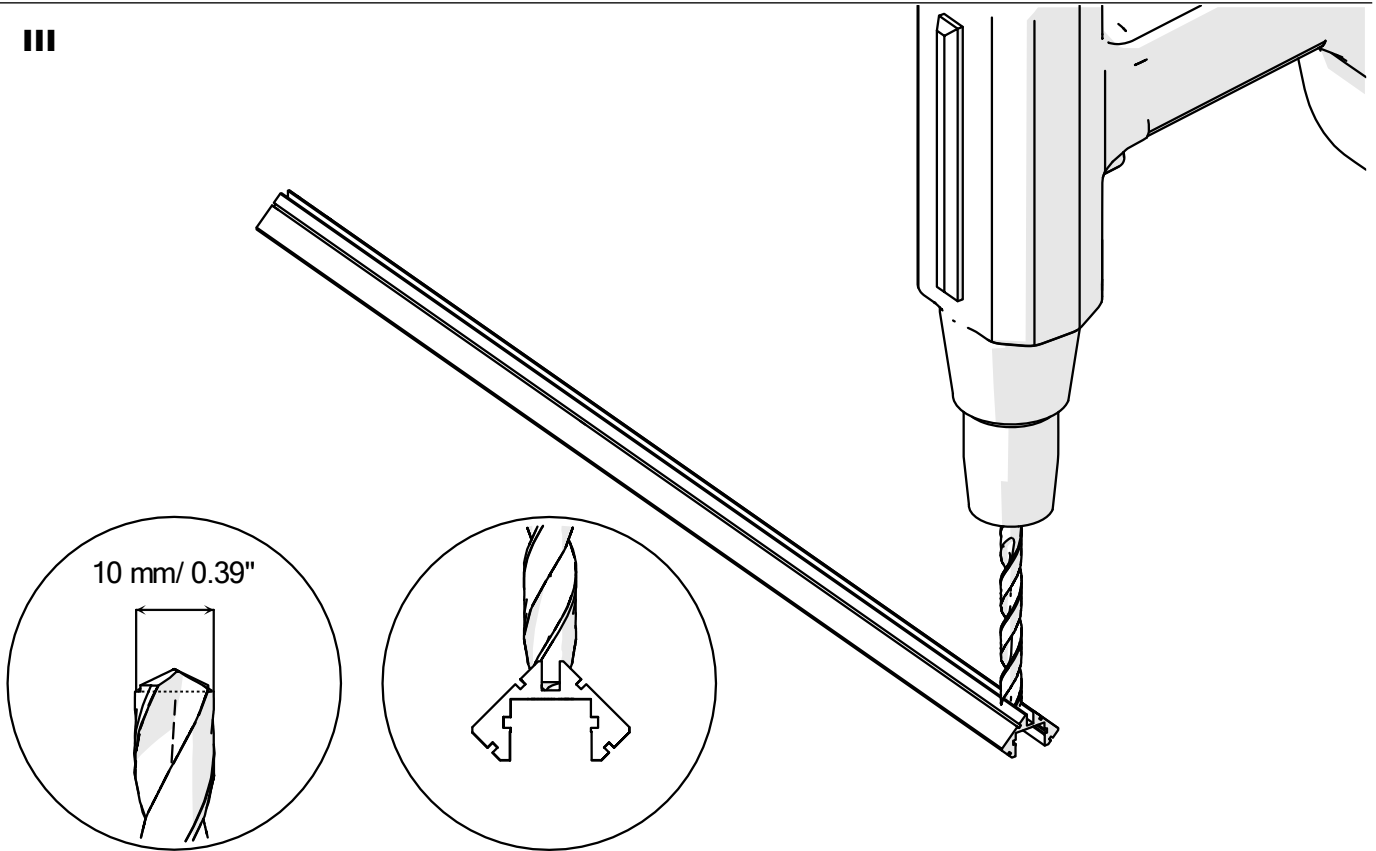
I



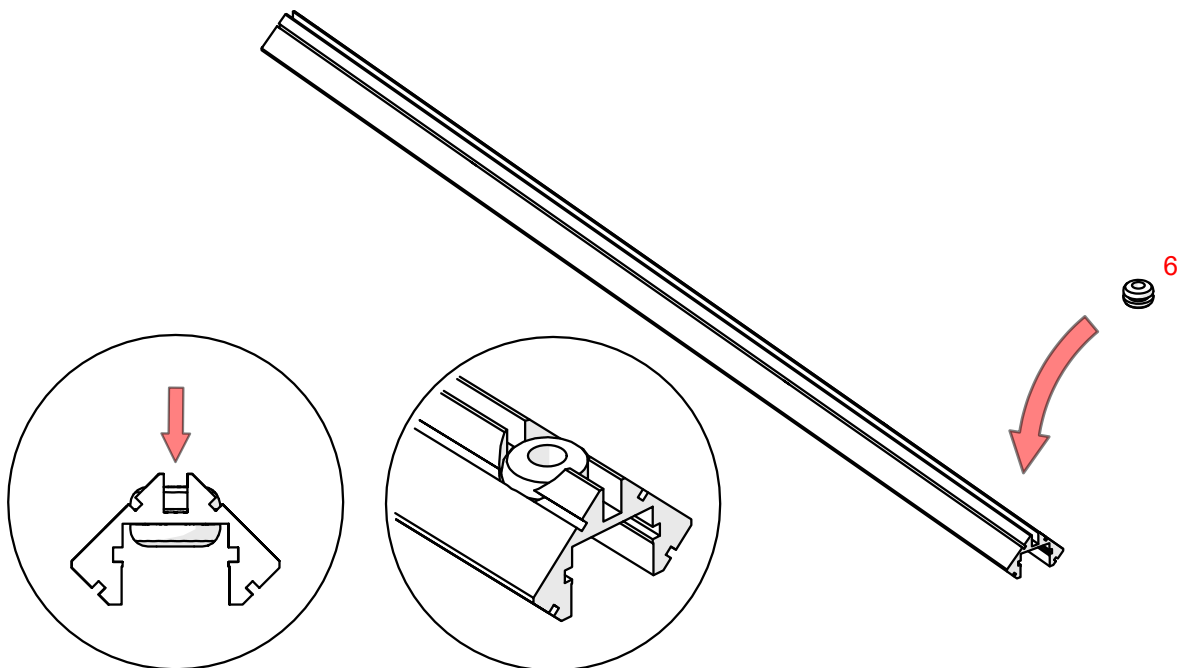
II



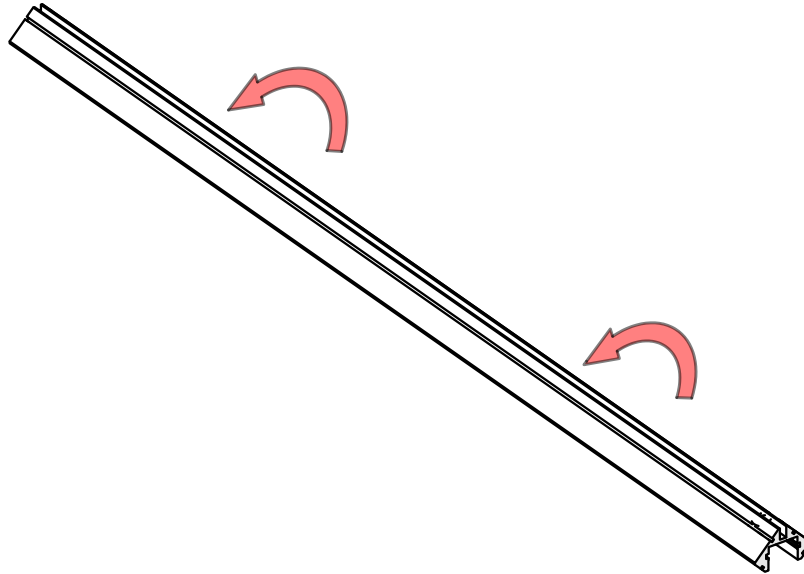
III



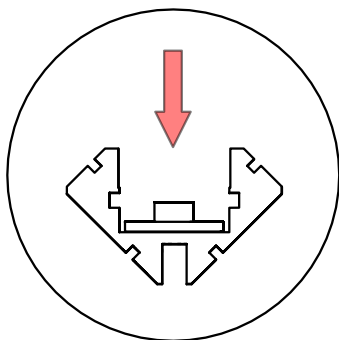
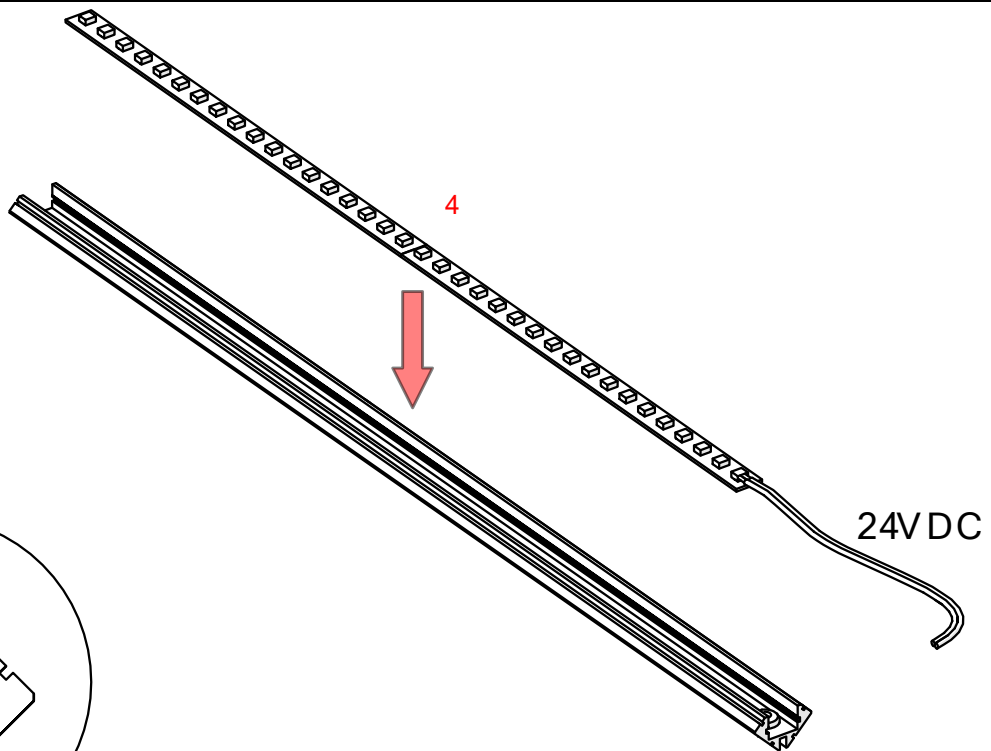
IV



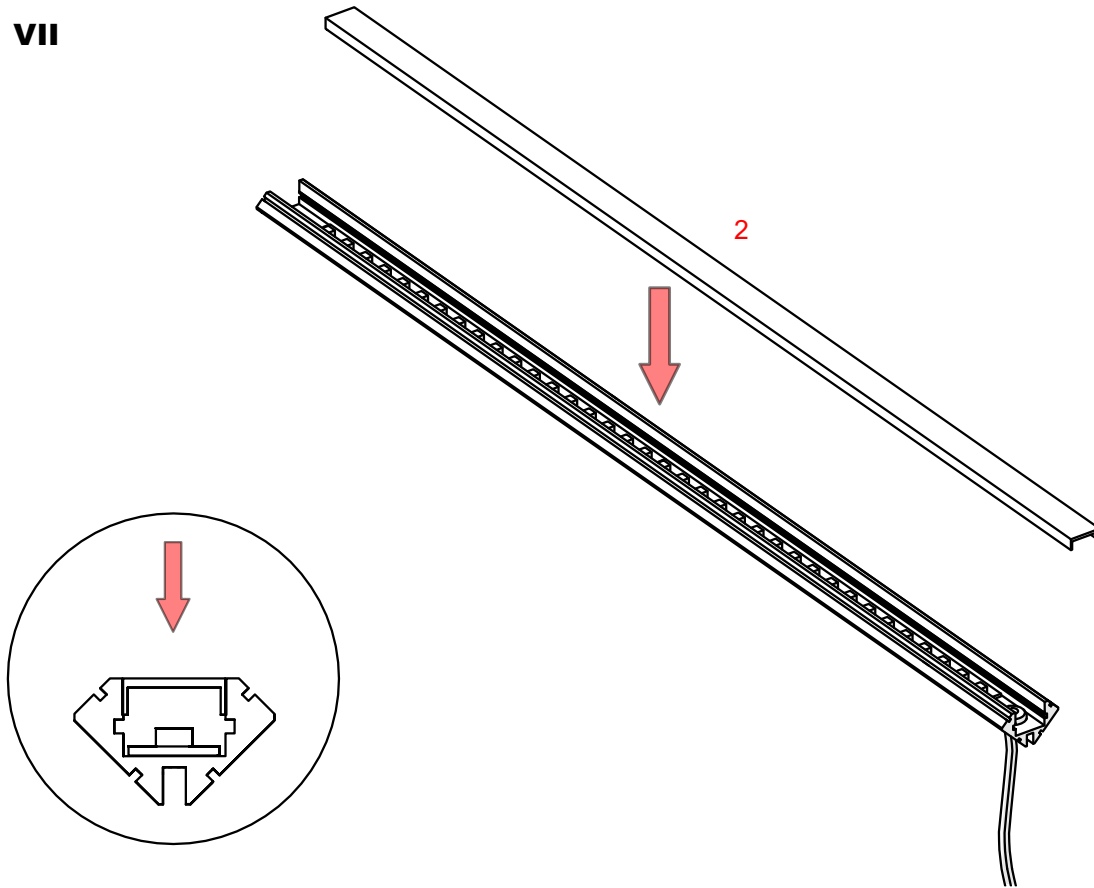
V



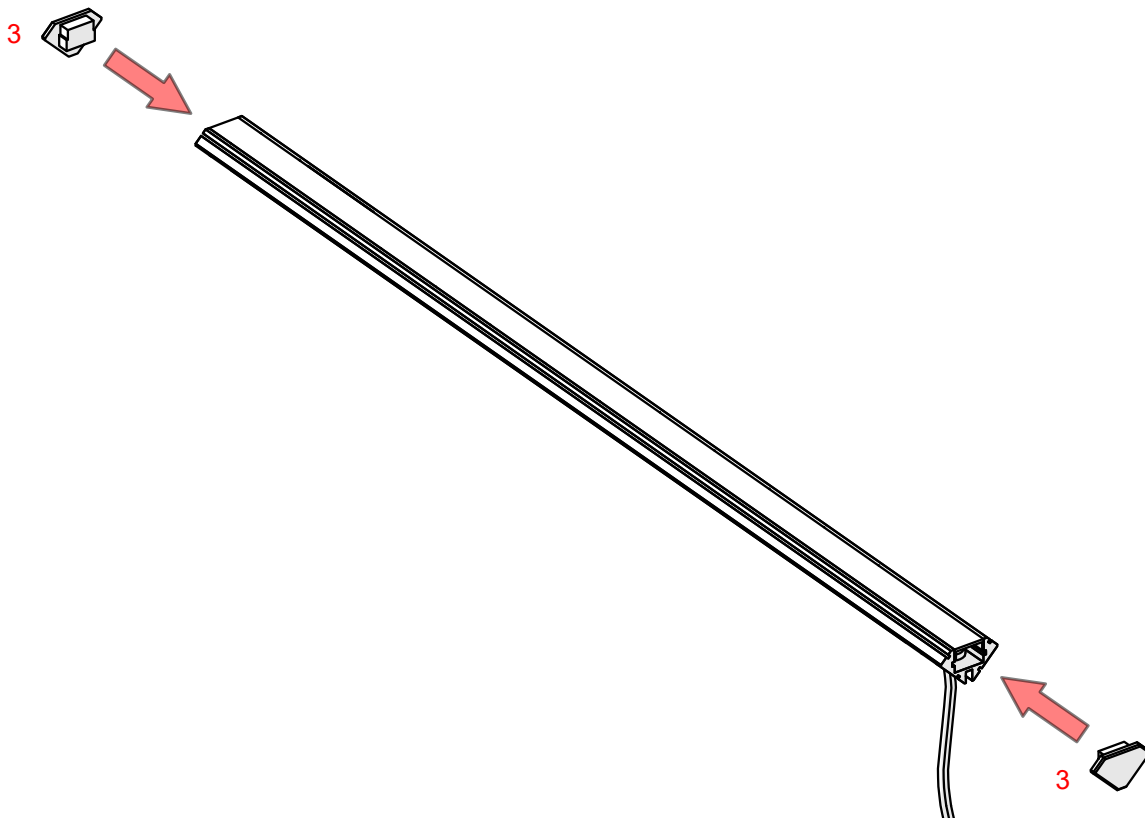
VI



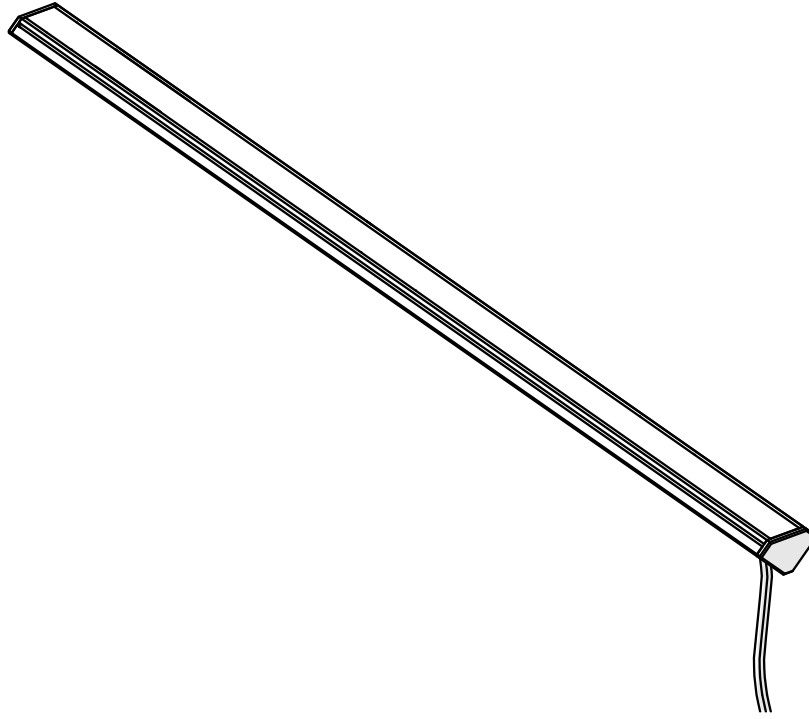
VII



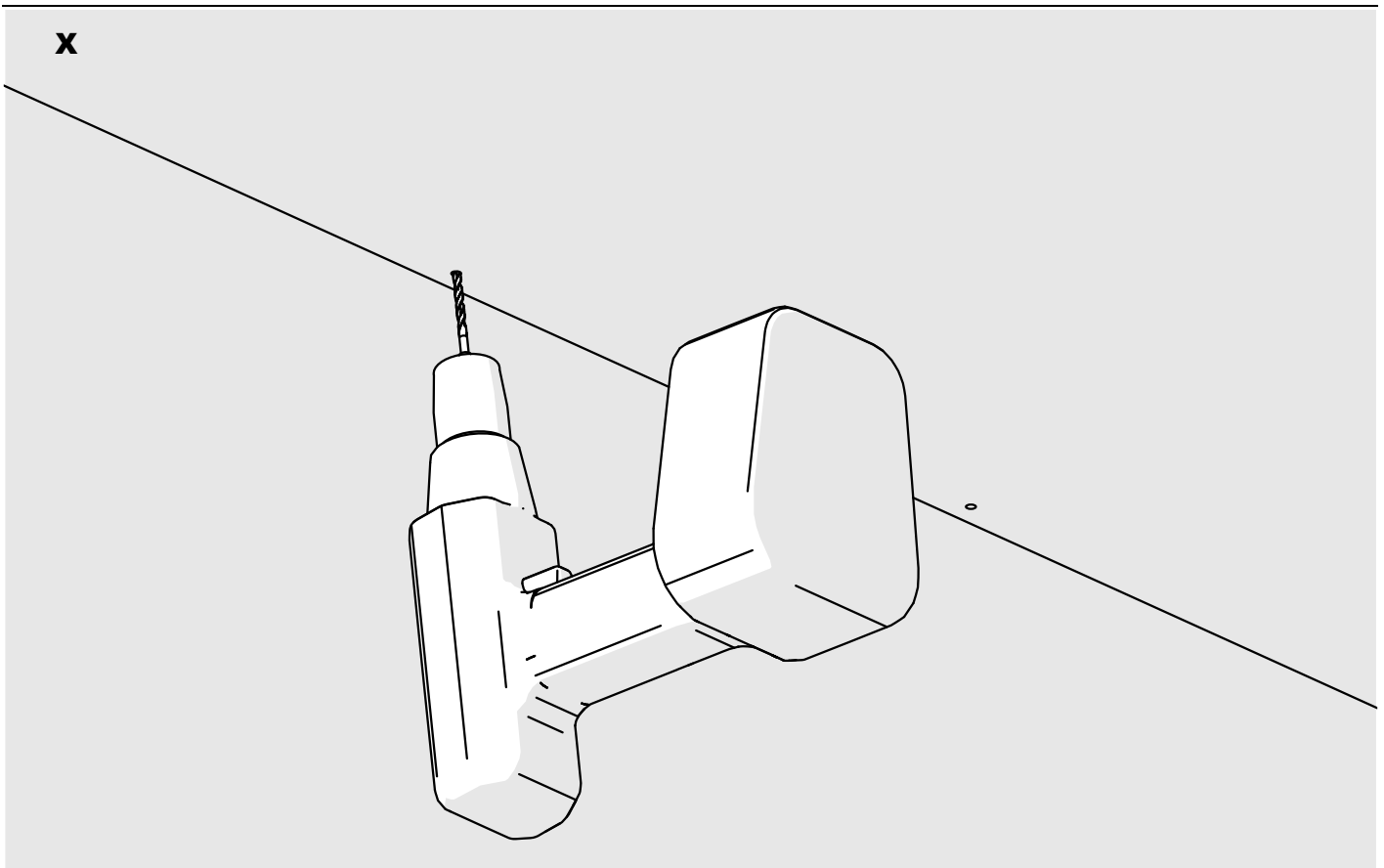
VIII

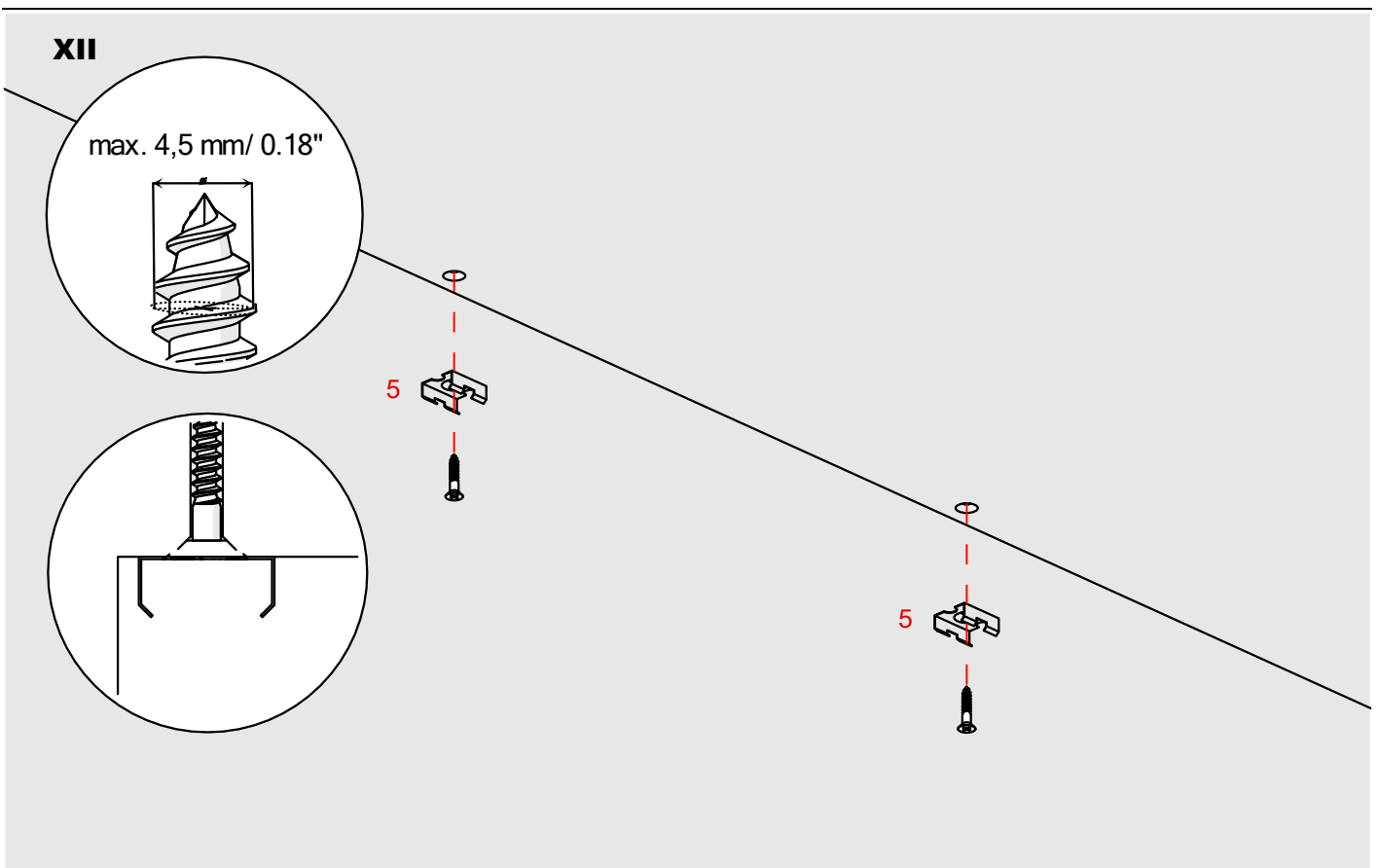
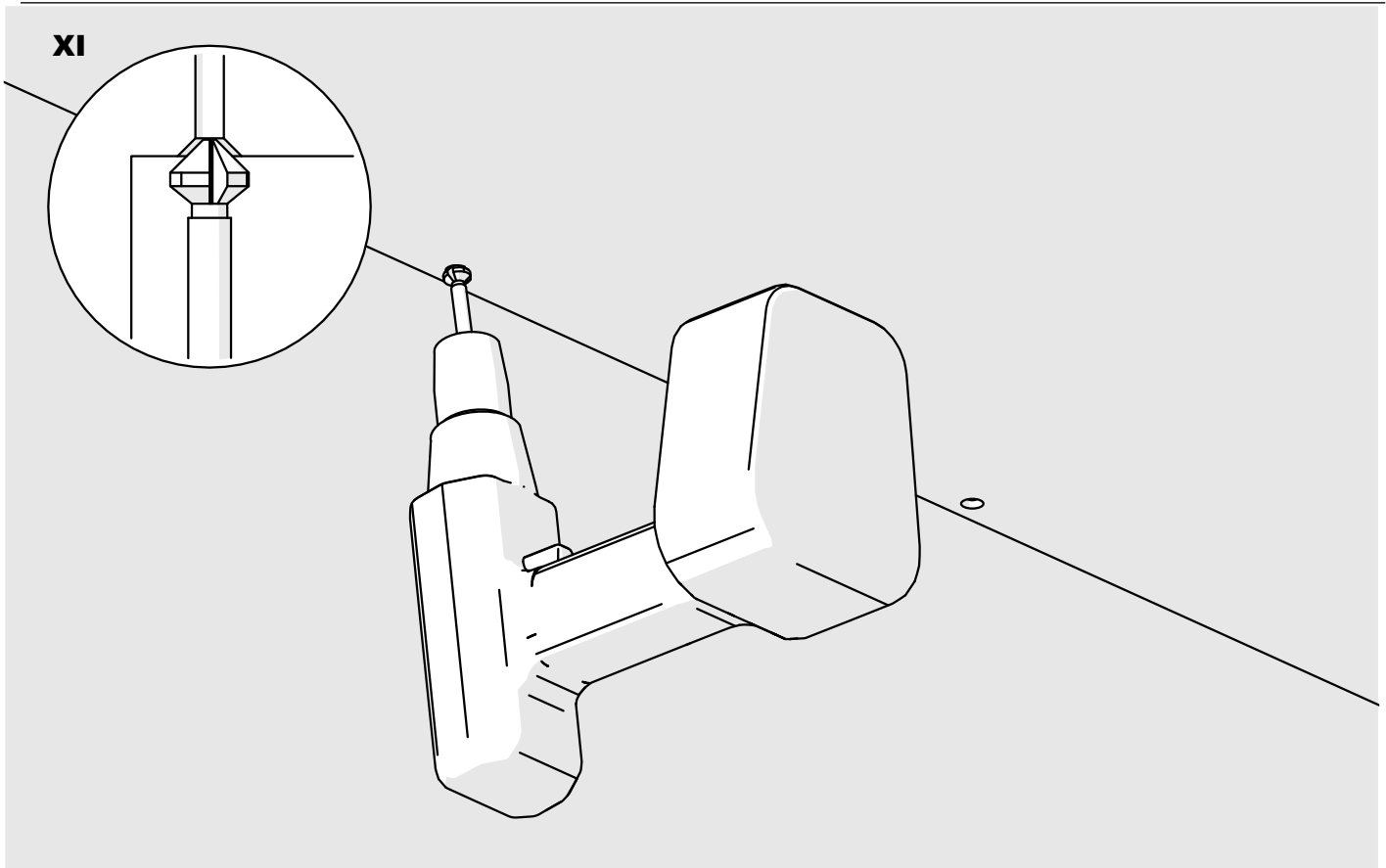


IX

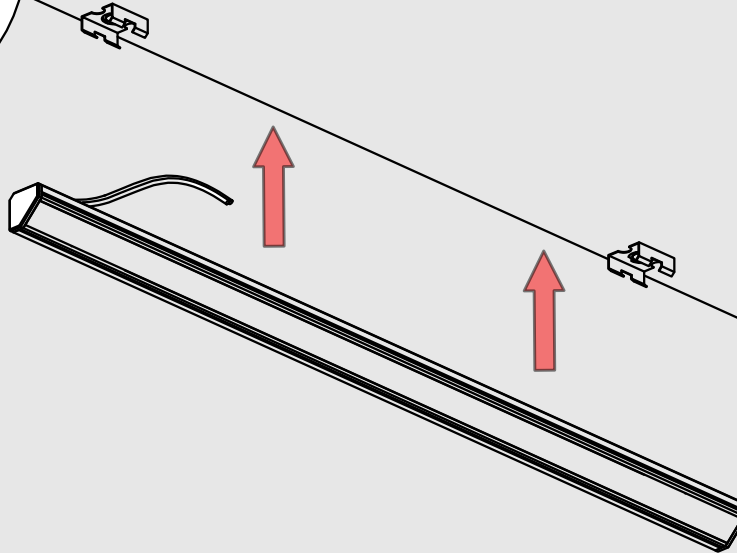
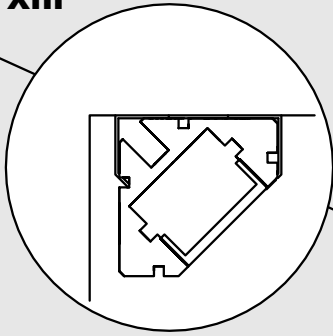


X





XIII



XIV

